

SPEED GATE TURNSTILES GS-3000 Series

GateSet Exclusive Line GS-3000 Series Speed Gate Turnstiles are robust products functioning to provide pedestrian access control in areas requiring moderate level of security. With its compact case design, provides a perfect solution for tight installation areas. Encoder and PLC controlled obstacle movement is provided by brushless DC motor, and enhanced with security features such as anti-tail-gating and anti-pass-back, with five pairs of optical sensors embedded in the turnstile case, which in total ensures one of the highest reliability available in market and a remarkably long life even in case of intensive usages. GS-3000 Series Speed Gates are the perfect solution, where design, aesthetics and passage speed are important.

ExclusiveLineGS-3000Datasheet v.2.0

Functional Highlights


Linear Wing Movement

Bidirectional

Indoor

Security / Comfort

30 Passages / min

Usage Areas

- Access Control
- Fee Collection
- Access Restriction
- Business Centers
- Government Offices
- Sport Centers
- Industrial Plants

Featured Characteristics

- Elegant** - Satin finished 304 Stainless Steel Case, tempered glass top cover and obstacles
- Reliable** - Brushless DC motor, controlled by Omron PLC providing a long product life with minimum maintenance
- Compact** - Only 1000 mm long Case provides ease of installation at tight areas
- Secure** - Anti-Pass-Back and Anti-Tail-Gating with 5 pairs of embedded industrial optical sensors
- Flexible** - Ease of integration with various access control systems thanks to its control PLC answering all demanded high-end functions

Products in this Series

- GS-3300**
- Standard Single Wing
 - 304 Stainless Steel Body
 - Black Tainted Glass Top
 - Configured as:
 - * Master / Starting Unit or
 - * Slave / Ending Unit
 - Provides one 550 mm wide Passage together with corresponding standard wing



- GS-3900**
- Disabled Single Wing
 - 304 Stainless Steel Body
 - Black Tainted Glass Top
 - Configured as:
 - * Master / Starting Unit or
 - * Slave / Ending Unit
 - Provides one 900 mm wide Passage together with corresponding disabled wing



- GS-3600**
- Standard Double Wing
 - 304 Stainless Steel Body
 - Black Tainted Glass Top
 - Configured as:
 - * Master / Center Unit and
 - * Slave / Center Unit
 - Provides two 550 mm wide Passages at each side together with corresponding standard wings

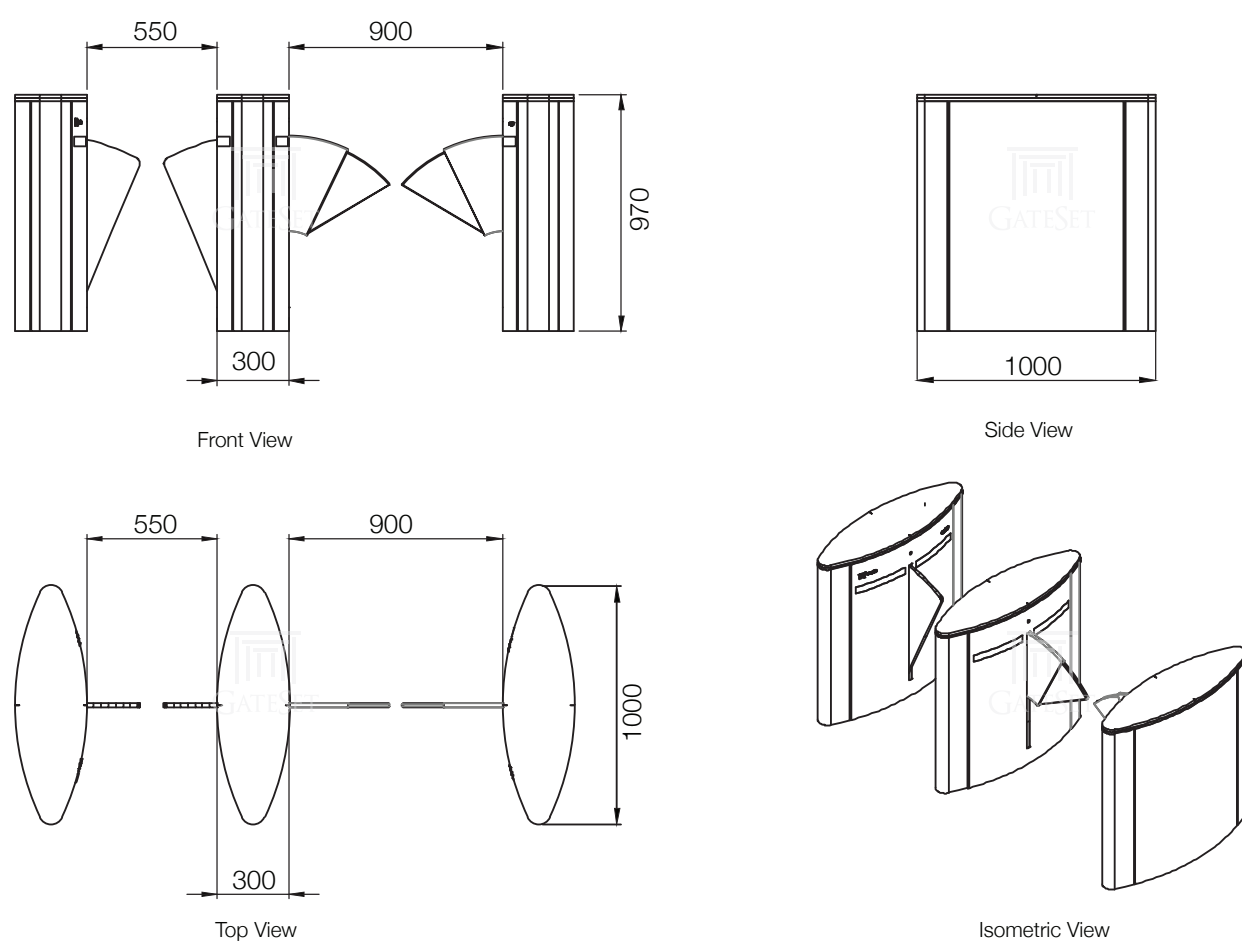


- GS-3920**
- Hybrid Double Wing
 - 304 Stainless Steel Body
 - Black Tainted Glass Top
 - Configured as:
 - * Master / Center Unit and
 - * Slave / Center Unit
 - Provides one 550 mm wide and one 900 mm wide Passages at each side together with corresponding standard and disabled wings



ExclusiveLineGS-3000Datasheet v.2.0

Drawings and Dimensions*



* Dimensions are given for 1+1 Passage Configuration. Subject to change depending on design or project needs without prior notice

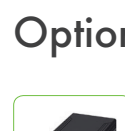
Technical Specifications*

MATERIAL - MAIN BODY	1.5 mm 304 grade stainless steel, satin finishing
MATERIAL - TOP COVER	10 mm Plexiglas Layer for LED Stripes, Finished by 10 mm Tempered Safety Glass (Black Tainted)
MATERIAL - INNER CASE	Reinforced with 5 mm horizontal galvanized metal bars to increase strength
MATERIAL - OBSTACLE	15 mm thick safety Plexiglas for standard passage
	25 mm thick Polyurethane with steel carcass combined with 15 mm inner Plexiglas for disabled passage
SIDE COVERS	Removable to provide easy access for servicing and maintenance
	Optical sensors are covered with 3mm thick Plexiglas
TREATMENT - OTHER PARTS	All other parts are coated against corrosion
DIMENSIONS (mm)	300 x 1000 x 970
OBSTACLE LENGTH (mm)	225 mm (Standard Wing), 425 mm (Disabled Wing)
PASSAGE WIDTH (mm)	550 mm (Standard Passage), 900 (Disabled Passage)
WING HEIGHT	830 mm
OPERATING VOLTAGE	115-240 V AC / 24V DC - 50-60 Hz
POWER CONSUMPTION	150 W (max) for single wing, 300 W (max) for double wings
OPERATING TEMPERATURE	-20 °C / + 70 °C
ACCESS CONTROL	Highest end Omron PLC control for granted access. Highest integration with all kind of access control equipment, configured to receive free contact at standard
SENSOR CONTROL	5 point (pairs) IR sensor control for N/O mode, sequential (switching) passage feature for N/C mode. The system continuously monitors the status of the corridor and gives alarm in several cases
OCCUPANCY MONITORING	When a user occupies the lane without flushing a card, systems gives alarm after an adjustable time
WARNING INDICATORS	In instances where the lane is not used when access is granted the system will give alarm after adjustable time-out duration is exceeded
ENCOUNTERING	When the lane is occupied from the opposite direction of the granted access, the system will give alarm
ANTI-TAIL-GATING	When an unauthorized access attempt is made right after a valid access, system will give alarm and block access right after the valid passage (alarm/block access configurations are adjustable)
POSITION DETECTION	Position of the obstacle wings are detected by inductive switches
WING INDICATORS	Two separate warning indicators at front and rear sides of the gate.
SIDE STRIPES	Green arrow indicates "Passage Open", Red cross indicates "Passage Closed"
OBSTACLE MOVEMENT	Motorized movement by 24 V DC - 30 W brushless motor coupled with 30:1 gearbox for standard wing and 50:1 gearbox for articulated wing. Speed control with encoder.
SAFETY SENSOR	Middle safety IR sensor for preventing obstacle - user interference
DIRECTIONAL MODE	Unidirectional and Bidirectional operation features as "Only Entrance", "Only Exit", "Entrance and Exit"
CAPACITY	Handling more than 30 passengers per minute.
OPERATION SAFETY	Electrical and mechanical safety for all components. To avoid injuries, all corners and sides are rounded
ELECTRICAL FAILURES	The wings are released automatically to be opened easily by hand
EMERGENCY OPERATION	Fail-Safe: Wings will be remain it the current position (standard)
	Fail-Secure Wings automatically hide to ensure safe evacuation during emergency (optional)
INSTALLATION	Ease of installation with mounting plate
CERTIFICATION	ISO 9001:2015
WARRANTY	2 Years

* Subject to change depending on design or project needs without prior notice

ExclusiveLineGS-3000Datasheet v.2.0

Optional Accessories



DC Power Pack

With DC Power Pack, wings can be configured to open automatically in case of power failure



Laser Logo Engraving on Wings

Personalized graphics engraving with laser on obstacles are provided on demand



Stand-Alone Card Reader

For sites without Access Control System, seamless stand-alone card reader is available



Button Control Panel

Designed for ease of operation from reception or supervision desks, remote or wired options

Finishing Options

- Standard** - 304 Stainless Steel, Satin Finishing
- Optional** - 316 Grade Stainless Steel, Satin Finishing
- Optional** - Powder Coating with Anti-Rust Layer and Heat Treatment (RAL Colours Available)

